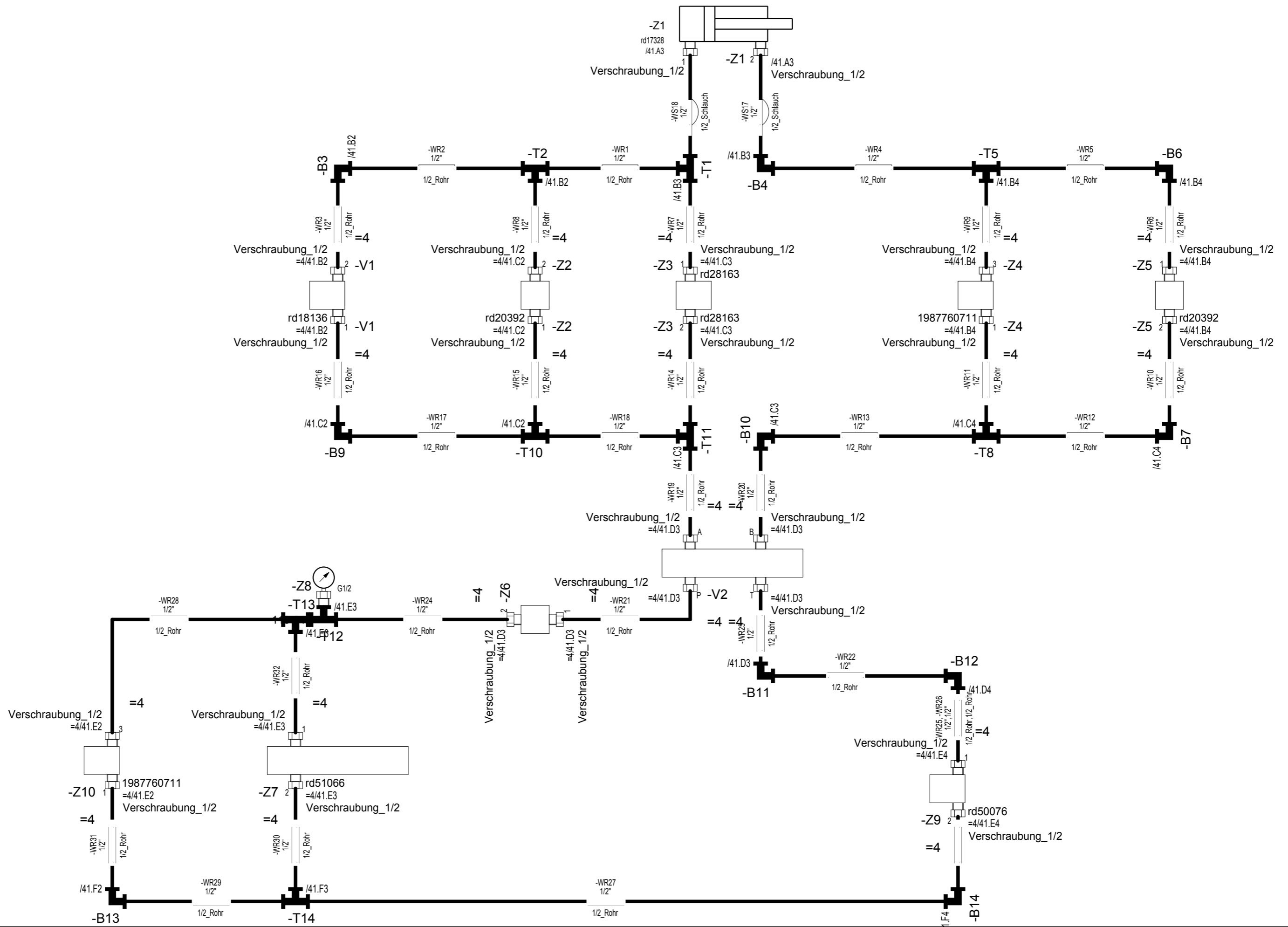


Hydraulic

Fluid_Pneumatic-Hydraulic_2009
 C:\CTCopyTemplate_E3-Projekte\Fluid\

created with
E3 series

We reserve all rights in this document and in the information contained therein. Reproduction, use or disclosure to third parties without express authority is strictly forbidden.
 © CIM-Team



date		2009-01-28				Vorschubeinheit		ABCDEFG-111		=4	
User		CT-AS				Verrohrung		123456789-AAA		Sheet 42	
Proved		CT-BS								17 Sh.	
Status	change	date	name	Standard	Origin	Repl. f.	Repl. by				